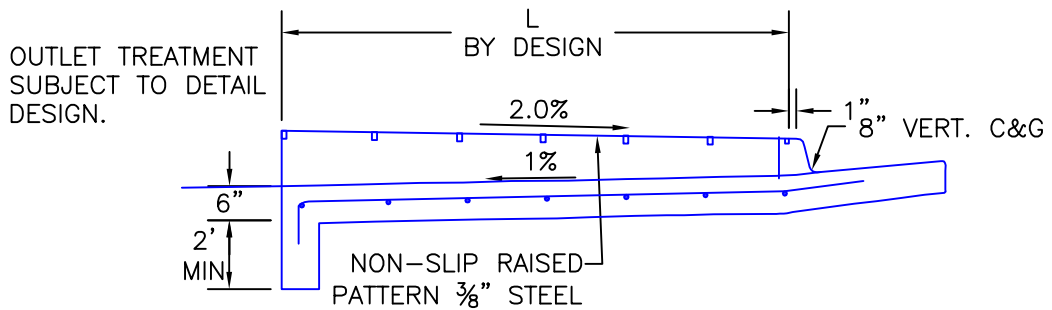
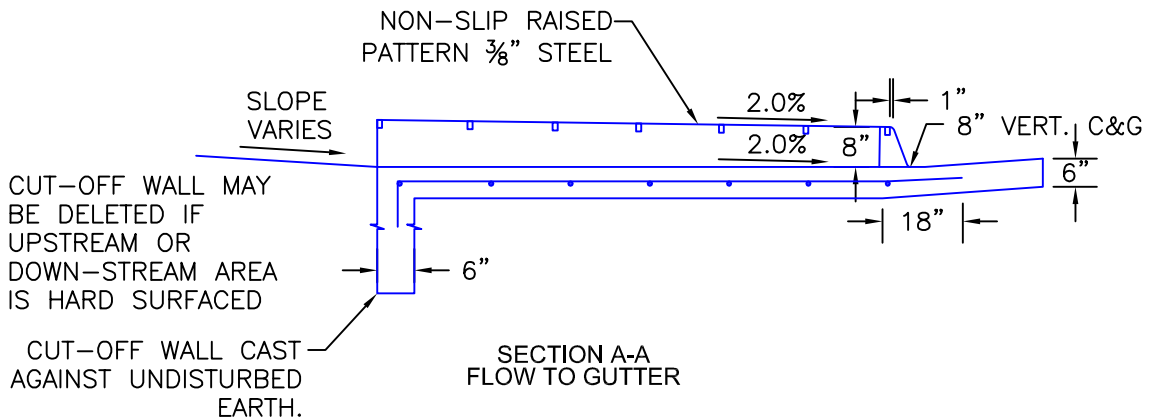


PLAN VIEW



SECTION A-A
FLOW FROM GUTTER



SECTION A-A
FLOW TO GUTTER

DRAFT

SCALE: NOT TO SCALE

DATE APPROVED:

Curb Opening with Drainage
Chase Detail 1 of 2
Standard Drawing



DEPARTMENT OF TRANSPORTATION

REVISION DATE:

11/10/04

FILE NAME:

SD_3-25