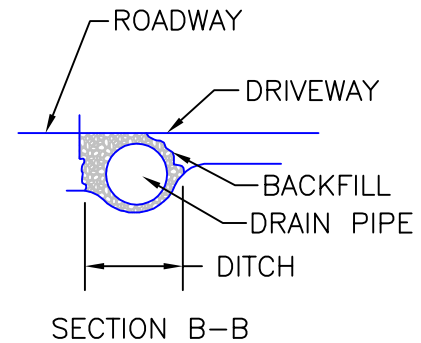
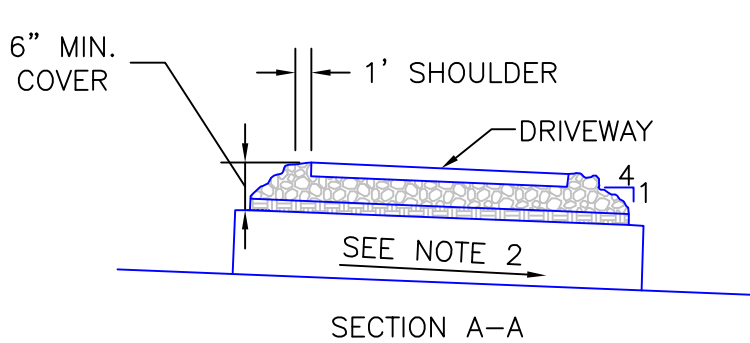


PLAN VIEW



NOTES

1. SURFACE TREATMENT OF DRIVEWAY TO MATCH SURFACE TREATMENT OF ROAD WITHIN THE ROW.
2. DRAIN PIPE TO BE 18" DIAMETER CMP MINIMUM.
3. PIPE SLOPE TO BE CONSISTENT WITH FLOWLINE OF DITCH, MINIMUM OF 1% PREFERRED.

**DRAFT**

SCALE: NOT TO SCALE

DATE APPROVED:

DEPARTMENT OF TRANSPORTATION

Driveway Access on  
Rural Local Roadway  
Standard Drawing

REVISION DATE:

11/10/04

FILE NAME:

SD\_3-14

